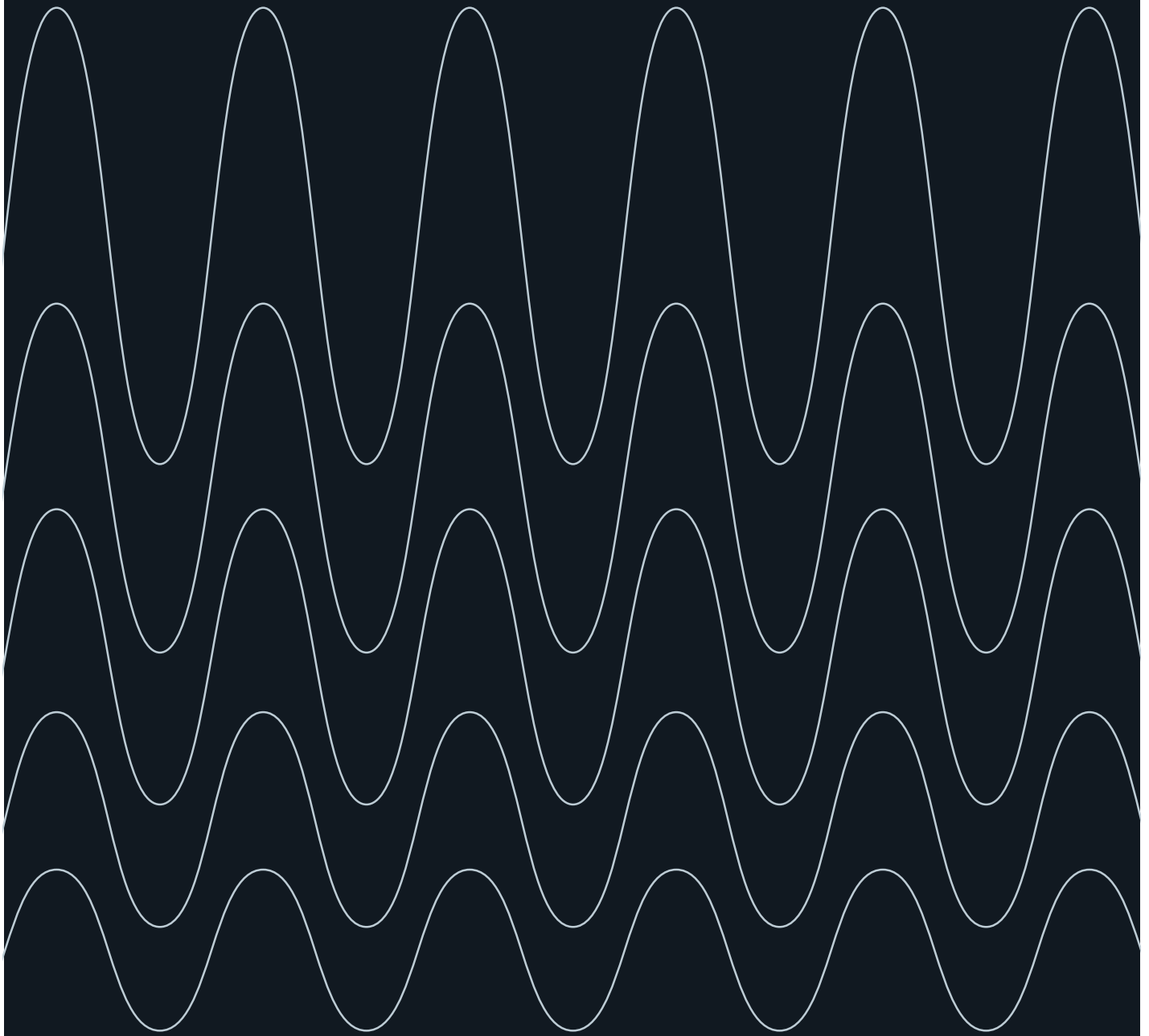
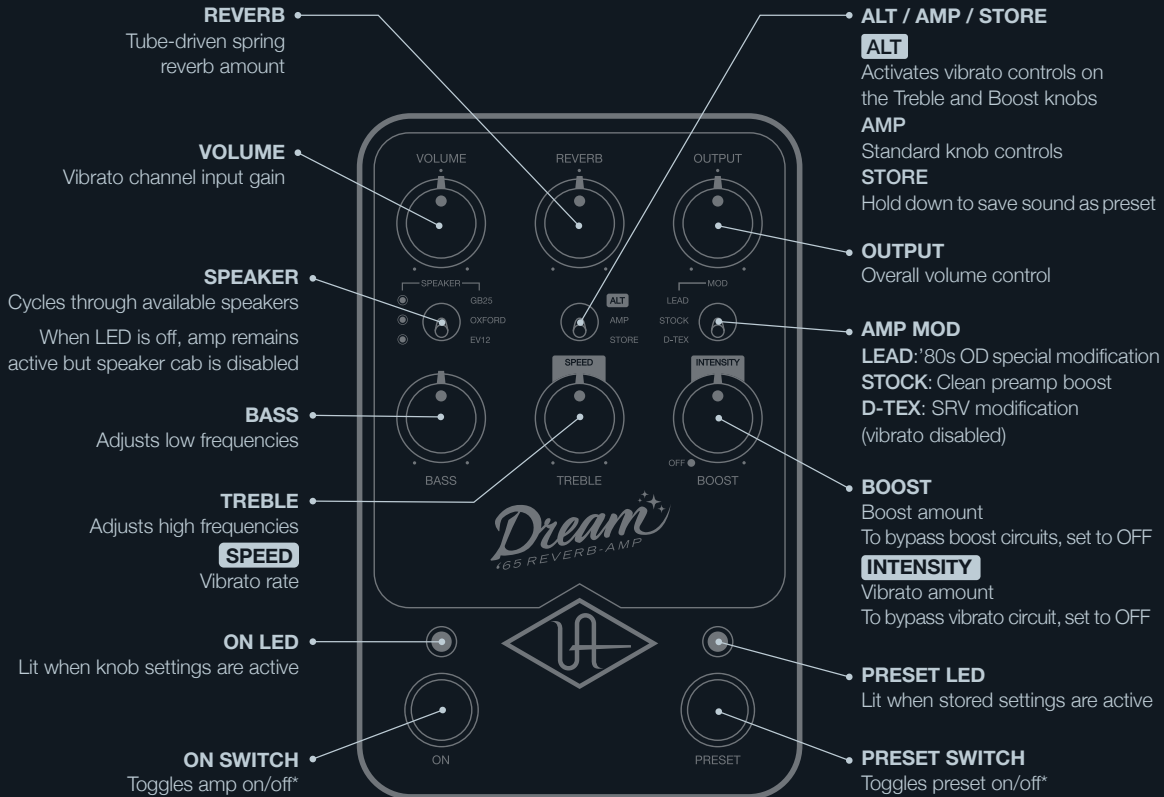


Dream
'65 REVERB-AMP

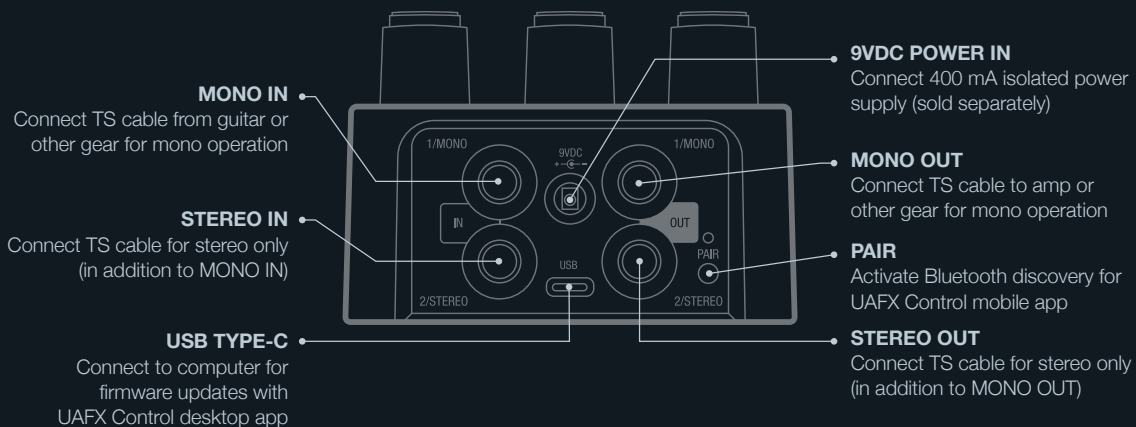


Dream

'65 REVERB-AMP



*Get more footswitch modes with the UAFX Control app



Power Supply Isolated 9VDC, center-negative, 400 mA minimum, 2.1x5.5 mm barrel connector (sold separately)

Get More UAFX Control app, bonus speaker cabinets, artist presets, and full manuals at uaudio.com/uafx/start

