

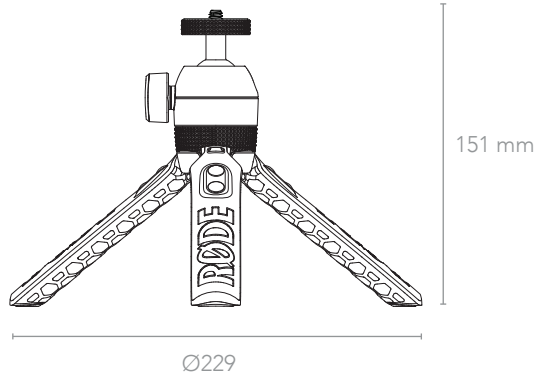
TRIPOD 2

CAMERA AND ACCESSORY MOUNT

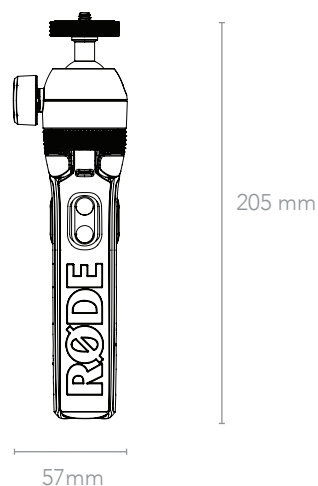


The Tripod 2 is a sturdy three-position tripod for mounting cameras, microphones and other accessories. In the closed position, it is perfect for handheld use. The tripod legs can also be opened out to a mid or wide setting for optimal positioning and stability. The Tripod 2 has a 1/4" thread for attaching cameras and camera accessories, and also includes a 1/4" to 3/8" thread adaptor for use with microphones. There are also six 1/4" female thread connectors — two on each tripod leg — for mounting accessories onto the side.

Extended 52°



Closed view



MECHANICAL SPECIFICATIONS

Material:	Plastic
Colour:	Black
Weight (grams):	200
Product Dimensions (millimetres):	<p>Closed: Height: 205 Width: 57</p> <p>Extended (52°): Height: 151 Diameter: 229</p> <p>Fully extended (75°): Height: 109 Diameter: 272</p>
Compatible RØDE Products:	<ul style="list-style-type: none"> • DCS-1 • NT-USB Mini • VideoMic NTG • NTG5 • NTG4+ • NTG3 • NTG2 • NTG1 • PodMic • M1 • M2 • M3
Support Weight (kilograms):	Up to 2Kg (when the head is at a 90-degree angle and the Tripod 2 is fully extended)